

## Gold Standard Toaster | GST-2H



The Gold Standard Toaster is the newest development from Antunes, the recognized leader in bun toasting in the foodservice industry. Featuring an innovative and unique toasting system, the GST model provides operations with quality, reliability, and consistency in their toasting platform.

The GST-2H model utilizes dual-belt technology that cradles buns as they move along the heat source, eliminating defects such as sticking, slipping, and bun marking. The belts are continuously moving so operators can immediately load product as needed without any delay.

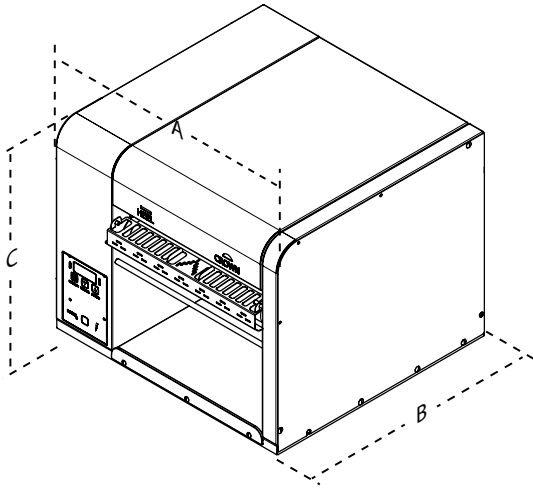
The energy-efficient design of the GST-2H keeps heat locked in the toasting chamber and keeps the outside surface cool to the touch, which can provide operations with 30% energy savings compared to other toasters.

### FEATURES

- Space-saving horizontal design.
- Energy-efficient design reduces heat loss and prevents outside surface of toaster from becoming hot.
- Delivers a hot, toasted bun while providing up to 30% energy savings compared to other toasters.
- Continuously moving belts allow immediate feeding of buns without sticking.
- Independent heel and crown compression settings.
- Easy-to-operate control panel for quick adjustments to toast quality.
- Programmable controls allow users to make adjustments to Platen Heater Temperature and Motor Speed.

# Gold Standard Toaster | GST-2H

## Dimensions



Model & Mfg. No.	Width (A)	Depth (B)	Height (C)	Shipping Weight
GST-2H 9210961 9210962	22" (559 mm)	21" (533 mm)	17" (432 mm)	117 lbs. (53 kg)

## Electrical Ratings and Plug Configuration

Model & Mfg. No.	Volts	Watts	Hertz	Plug Description
GST-2H 9210961	230	2000	50	CEE 7/7 16 Amp., 250 Volt
GST-2H 9210962	208	2000	50/60	NEMA 6-20P 20 Amp., 250 Volt

## Bun Specifications

Model & Mfg. No.	Crowns		Heels	
	Min.	Max.	Min.	Max.
GST-2H 9210961 9210962	47/64" (19 mm)	29/32" (23 mm)	35/64" (14 mm)	47/64" (19 mm)

P/N 1020476 06/17